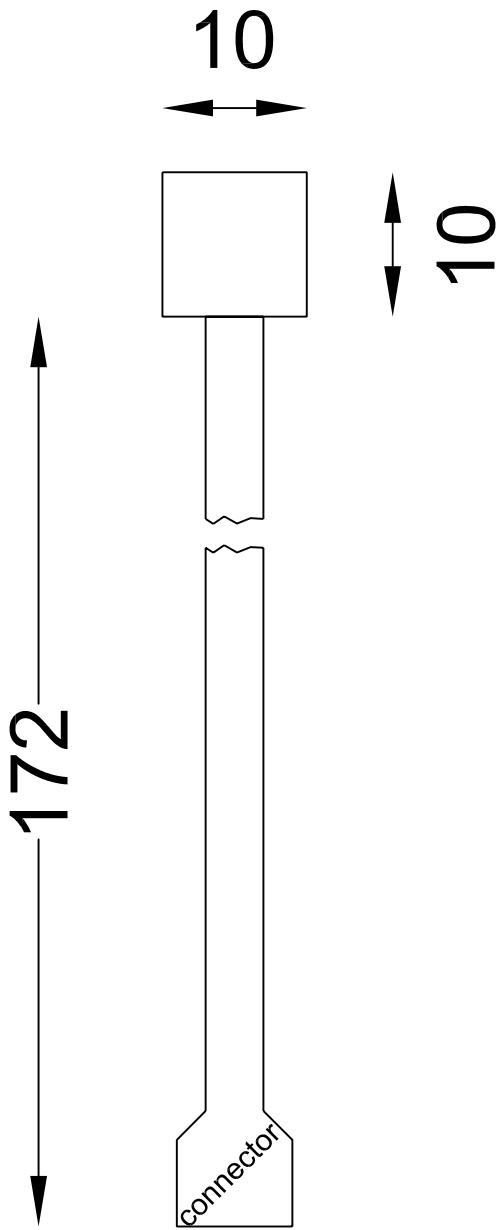


# Single Sensor



**novel***gmbh*  
Ismaningerstr.51  
81675 München  
Germany

Product ID	Single Sensor	Product No	S2010
Author	AC	All dimensions in mm, without coating	
Design (date)	25.Oct.2002	File & Block	d:\Cad\drawing\www\Single_Sensor.dwg