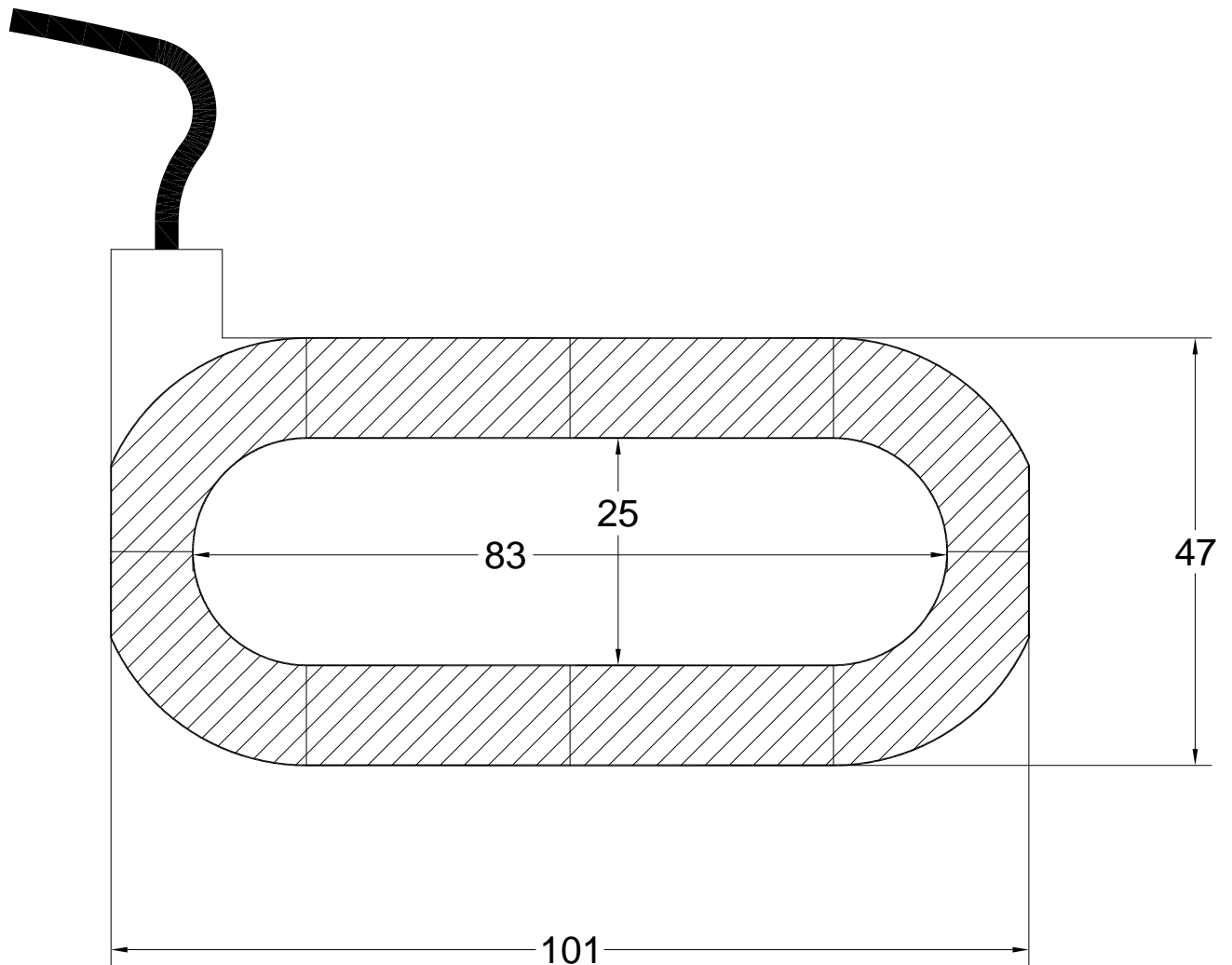
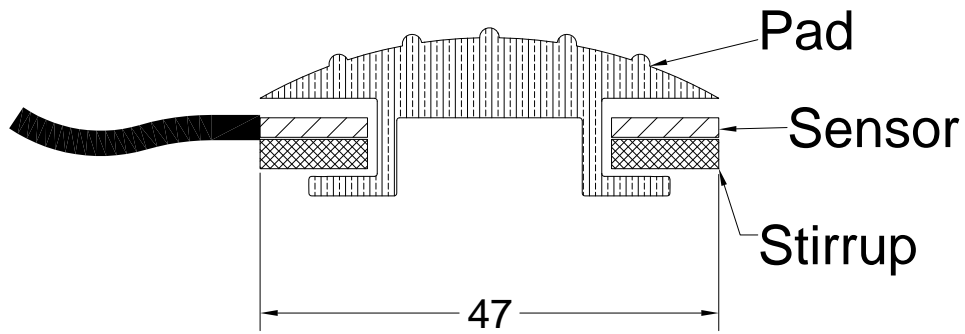


S2102 Stirrup



novel*gmbh*

Ismaningerstr.51
81675 München
Germany

Product ID

S2102

Product No

Stirrup

Author

MG

All dimensions in mm

Design (date)

01.07.2010

File & Block

stirrup01.dwg